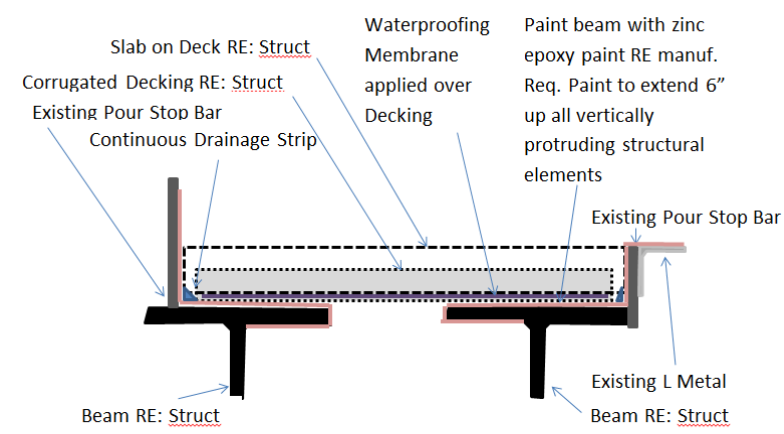
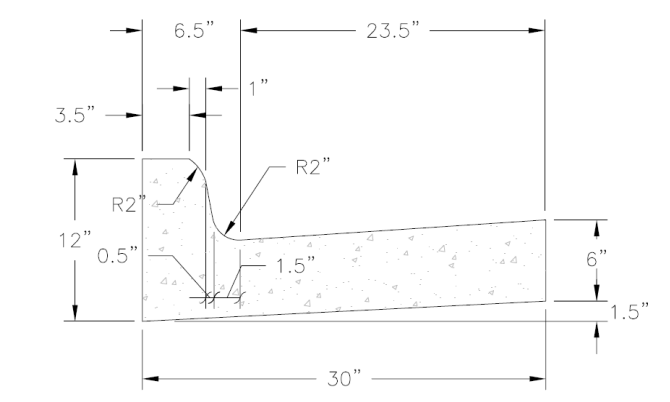


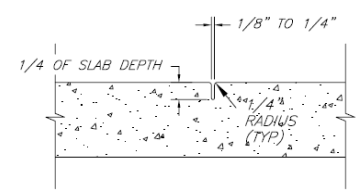
Detail 1



Detail 2

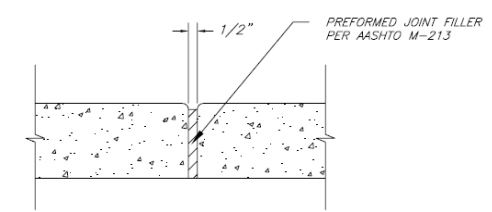


VERTICAL FACE CURB & GUTTER Detail 3



NOTE: LOCATION OF CONTRACTION JOINTS TO BE AS DETAILED OR AS DETERMINED IN FIELD WITH AND APPROVED BY TOWN.

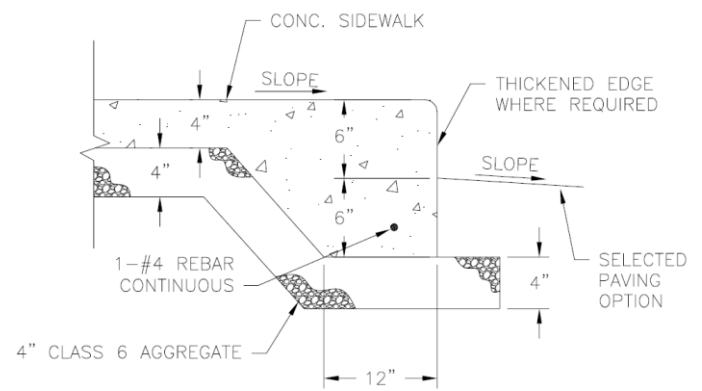
STANDARD CONTRACTION JOINT
N.T.S.



NOTE: EXPANSION JOINTS TO BE LOCATED ADJACENT TO ANY EXISTING CONCRETE OR FIXED STRUCTURE.

STANDARD EXPANSION JOINT
N.T.S.

Detail 4



TYP. DETACHED SIDEWALK
W/ THICKENED EDGE

Detail 5

Bridge Drawn by:	Big R Manufacturing and Distributing Inc. 12/12/1999
Structural Calculations Performed by:	ICE, Inc. Structural Engineers 12/12/1999
Rehabilitation Documents Compiled by:	City of Rifle 12/17/2019
Drawing Scale: Not to Scale	

16th Street Bridge Rehabilitation 2020



Revisions	
Number	Date
1	
2	
3	
4	
5	

SD1
Standard Details